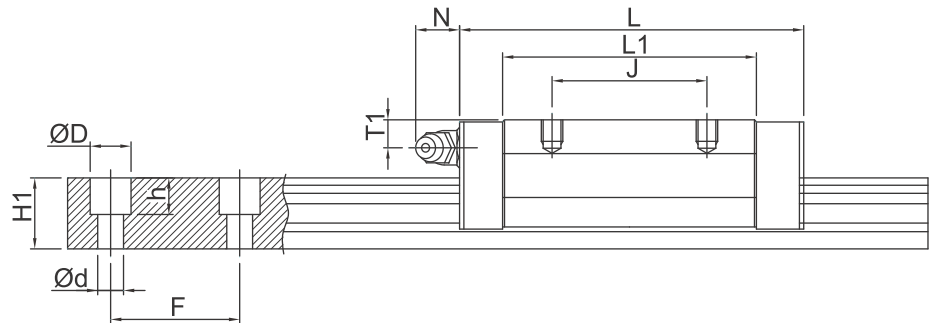
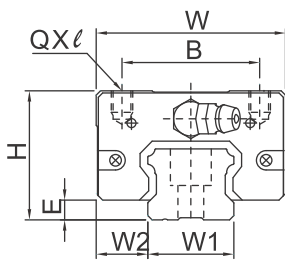
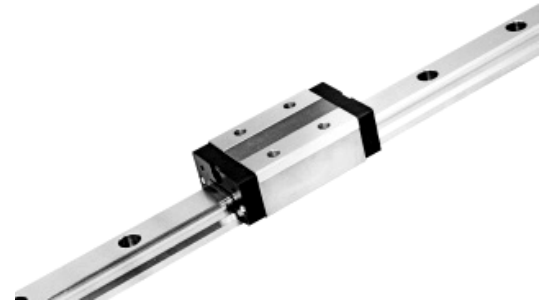
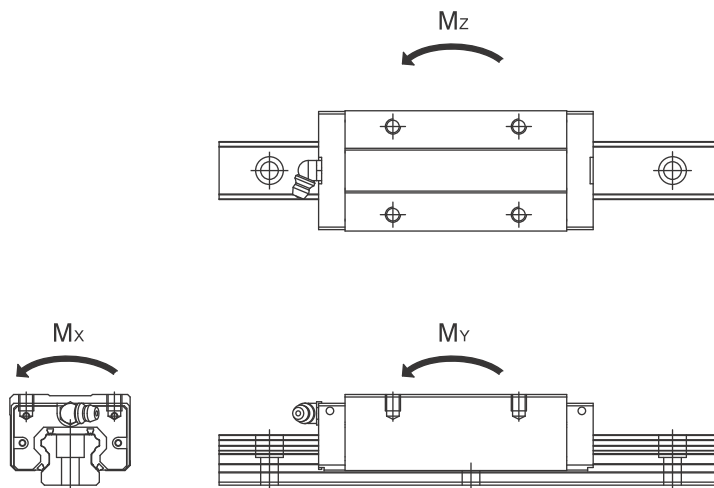


TRC-V Series Specifications



Model No.	Assembly(mm)			Block(mm)									Rail(mm)					
	H	W2	E	W	B	J	L	L1	QXl	T1	Oil Hole	N	W1	H1	φD	h	φd	F
TRC25VL	36	12.5	5.8	48	35	35	92	71	M6X6.5	7.5	M6X1	14	23	20	11	9	7	60
TRC25VE						50	109	88										

※The above standard provided is dedicated to XN, UN, please check table 2.2.17 for detail, if other accessories is required, please refer to page A90.



Model No.	Rating Load (kgf)		Static permissible moment of load						Weight	
	C	Co	Mx(kgf-mm)	My(kgf-mm)		Mz(kgf-mm)		Block (kg)	Rail (kg/m)	
			Single Block	Single Block	Double Block	Single Block	Double Block			
TRC25VL	2875	5254	60,945	59,579	277,678	59,579	277,678	0.44	3.17	
TRC25VE	3248	6255	72,554	85,112	391,311	85,112	391,311			

